

LUCCA

Installation and Operating Instructions

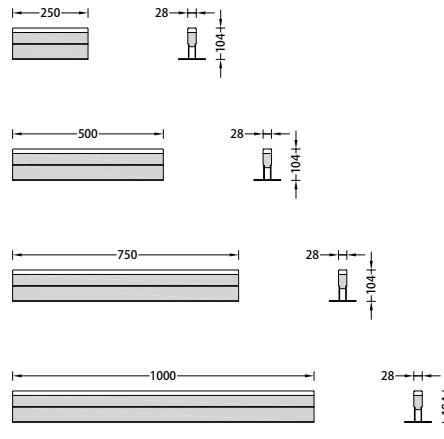
安 装 使 用 说 明

Version 2022.1



In-ground luminaires / 地埋灯

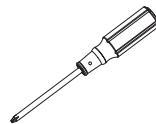
9 18x 05 xx Lucca



Important Information / 重要信息

1. The installation and maintenance of the product can only use the original parts, and the installation and operation of the equipment shall be subject to national and international regulations.
本产品安装和维护工作只能使用原厂配件，设备的安装和操作适用于国家和国际法规。
2. DMK is not liable for any damages resulting from improper or unskilled conduct.
DMK 不承担任何因不当或不熟练行为而造成的损害赔偿。
3. Only qualified installation personnel are allowed to assemble and install products obtained from the DMK.
只允许有安装资质的人员组装和安装从 DMK 获得的产品。
4. The contents of this manual are subject to change without prior notice. Please refer to the material in kind.
本说明书的内容如有变更，恕不另行通知。请以实物为准。
5. If in doubt, please contact the supplier.
如有疑问，请与供应商联系。

Toolings / 工具



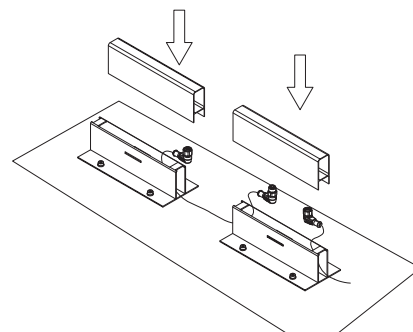
十字螺丝刀

Recommended Installation Procedure / 推荐安装过程

1. Install the embedded part and fabricated part into the ground and get the power supply cable into it.
将预埋件和预制件安装入地面，将供电电缆接入预埋件内。



The fabricated part should parallel to the ground.
预制件安装与地面水平。
The thickness of the seepage layer under the embedded part should not be less than 25cm .
预埋件下方渗水层厚度不小于 25cm。

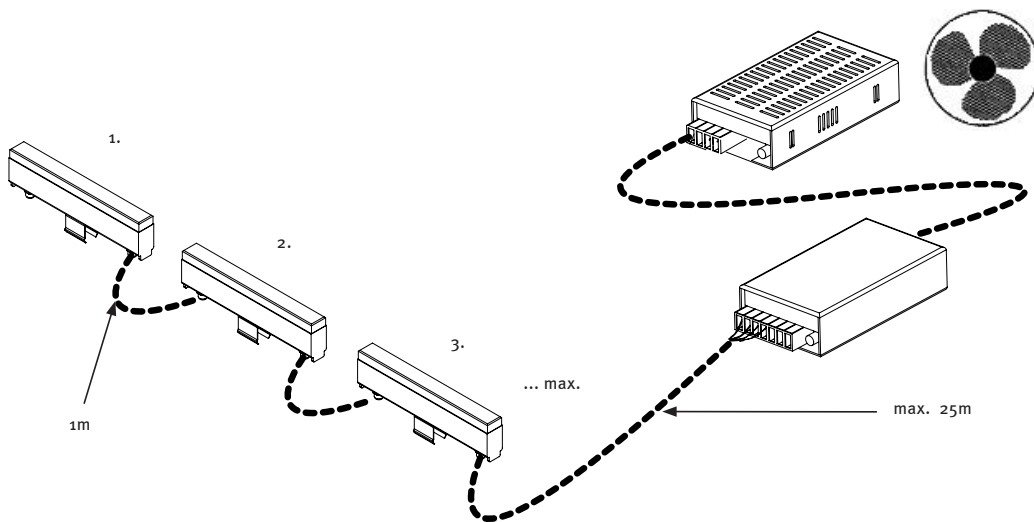
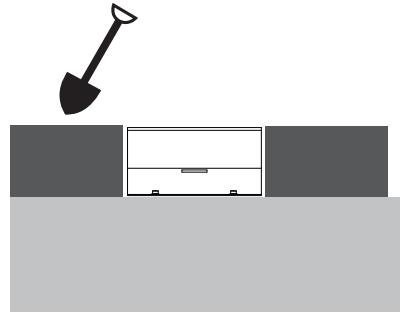


Recommended Installation Procedure / 推荐安装过程

2. Connect the power supply line..
将灯具电源线连接。



Be sure to lock the cable gland to IP67 grade.
务必将电缆锁头锁紧，达到 IP67 密封等级。
This step should be operated by professional personnel to
avoid electric shock.
此步骤需由专业人员操作，以免发生触电危险。



3. Take the fabricated part out and put the fixture into the
embedded part.
将预制件从预埋件中取出，将灯具装入预埋件内。

