

VERONA

Installation and Operating Instructions

安 装 使 用 说 明

Version 2022.1

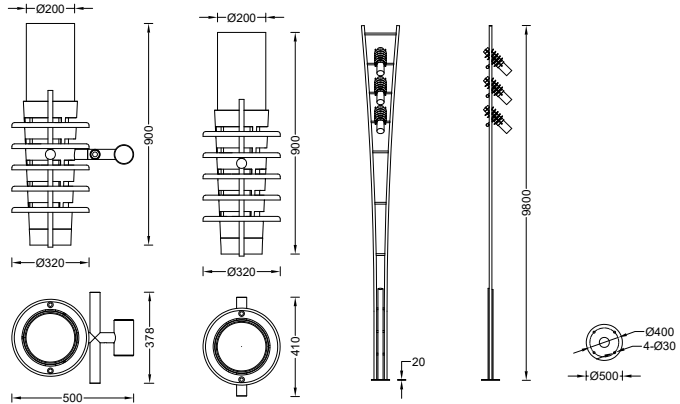


Light building element / 柱灯

9 09x xx xx Verona



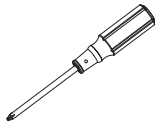
220~240V Class I Ra>80 CCC CE IP 65 IK



Important Information / 重要信息

1. The installation and maintenance of the product can only use the original parts, and the installation and operation of the equipment shall be subject to national and international regulations.
本产品安装和维护工作只能使用原厂配件，设备的安装和操作适用于国家和国际法规。
2. DMK is not liable for any damages resulting from improper or unskilled conduct.
DMK 不承担任何因不当或不熟练行为而造成的损害赔偿。
3. Only qualified installation personnel are allowed to assemble and install products obtained from the DMK.
只允许有安装资质的人员组装和安装从 DMK 获得的产品。
4. The contents of this manual are subject to change without prior notice. Please refer to the material in kind.
本说明书的内容如有变更，恕不另行通知。请以实物为准。
5. If in doubt, please contact the supplier.
如有疑问，请与供应商联系。

Toolings / 工具



十字螺丝刀



4/5mm 内六角扳手



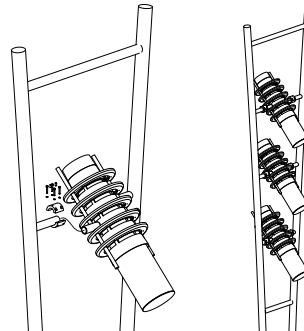
三角钥匙



36mm 开口扳手

Recommended Installation Procedure / 推荐安装过程

1. Put the power Cable into bracket and pole. Hold the fixture and bracket together with a splint (4-M6×35 hex socket screw). Then tighten with M8×16 set screw after rotate the fixture to the appropriate position.
将灯头电源线穿入灯杆支臂，用 4-M6×35 内六角螺钉连接夹套，调整合适的角度后锁紧夹套上的 M8×16 紧定螺钉，依次装上所有灯头。

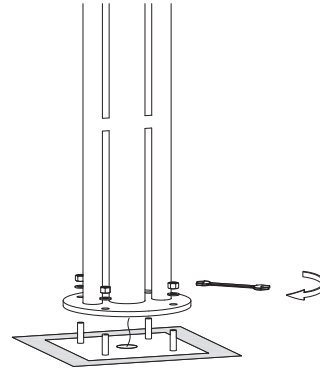


Recommended Installation Procedure / 推荐安装过程

- Fix the fixture on the embedded part with M24 nut and $\varnothing 24$ mm flat pad.
用 (M24 螺母、 $\varnothing 24$ 平垫) 将灯杆固定在预埋件上。



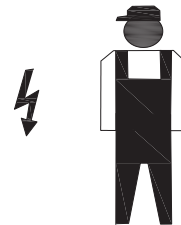
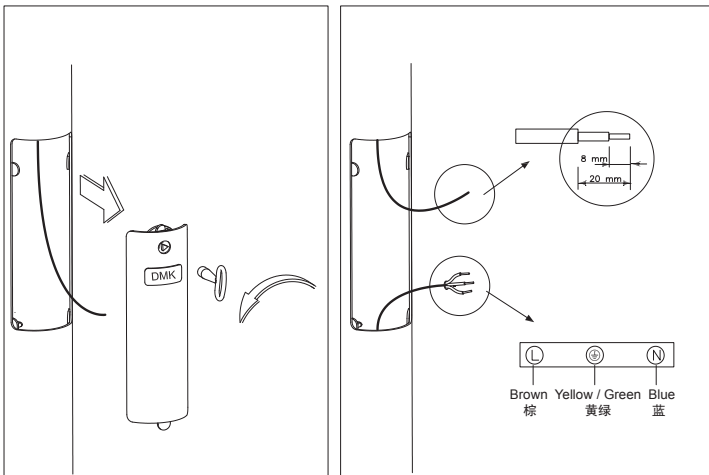
Keep the pole perpendicular to the ground.
使灯杆与地面保持垂直。



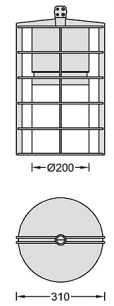
- Open the access door with the triangle key and connect the 220V power supply.
用三角钥匙打开灯具检修门，连接 220V 电源。



This step should be operated by professional personnel to avoid electric shock.
此步骤需由专业人员操作，以免发生触电危险。



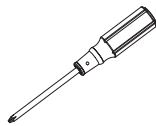
9 09x xx xx Verona U



Important Information / 重要信息

1. The installation and maintenance of the product can only use the original parts, and the installation and operation of the equipment shall be subject to national and international regulations.
本产品安装和维护工作只能使用原厂配件，设备的安装和操作适用于国家和国际法规。
2. DMK is not liable for any damages resulting from improper or unskilled conduct.
DMK 不承担任何因不当或不熟练行为而造成的损害赔偿。
3. Only qualified installation personnel are allowed to assemble and install products obtained from the DMK.
只允许有安装资质的人员组装和安装从 DMK 获得的产品。
4. The contents of this manual are subject to change without prior notice. Please refer to the material in kind.
本说明书的内容如有变更，恕不另行通知。请以实物为准。
5. If in doubt, please contact the supplier.
如有疑问，请与供应商联系。

Toolings / 工具



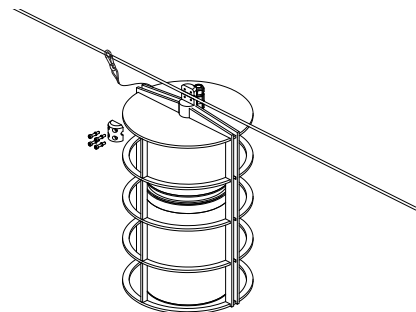
十字螺丝刀



4mm 内六角扳手

Recommended Installation Procedure / 推荐安装过程

1. Fix the fixture on the wire rope with splint (4-M5 screw 4-5 spring washer).
用 (4-M5 内六角螺钉; 4-5 弹簧垫圈) 将灯具用夹板固定在钢丝绳上。防坠落装置卡入钢丝绳。



Recommended Installation Procedure / 推荐安装过程

2. Remove the waterproof connector and connect the 220V power cable.
将防水接头拆下，连接 220V 电源线。



This step should be operated by professional personnel to avoid electric shock.

此步骤需由专业人员操作，以免发生触电危险。

