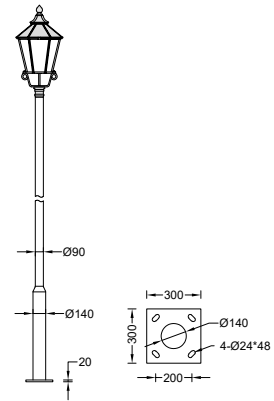
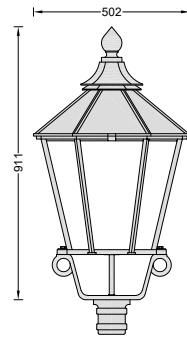
**Installation and Operating Instructions****安 装 使 用 说 明**

Version 2022.1

BERLIN

Pole-top luminaires / 杆顶灯

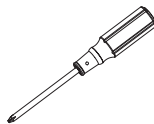
9 08x 01 xx Berlin



Important Information / 重要信息

- The installation and maintenance of the product can only use the original parts, and the installation and operation of the equipment shall be subject to national and international regulations.
本产品安装和维护工作只能使用原厂配件，设备的安装和操作适用于国家和国际法规。
- DMK is not liable for any damages resulting from improper or unskilled conduct.
DMK 不承担任何因不当或不熟练行为而造成的损害赔偿。
- Only qualified installation personnel are allowed to assemble and install products obtained from the DMK.
只允许有安装资质的人员组装和安装从 DMK 获得的产品。
- The contents of this manual are subject to change without prior notice. Please refer to the material in kind.
本说明书的内容如有变更，恕不另行通知。请以实物为准。
- If in doubt, please contact the supplier.
如有疑问，请与供应商联系。

Toolings / 工具



十字螺丝刀



5mm 内六角扳手



三角钥匙



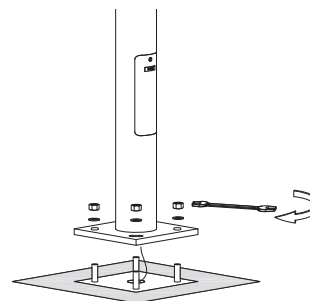
30mm 开口扳手

Recommended Installation Procedure / 推荐安装过程

- Fix the fixture on the embedded part with M20 nut and Ø20mm flat pad.
用 (M20 螺母、Ø20 平垫) 将灯杆固定在预埋件上。



Keep the pole perpendicular to the ground.
使灯杆与地面保持垂直。

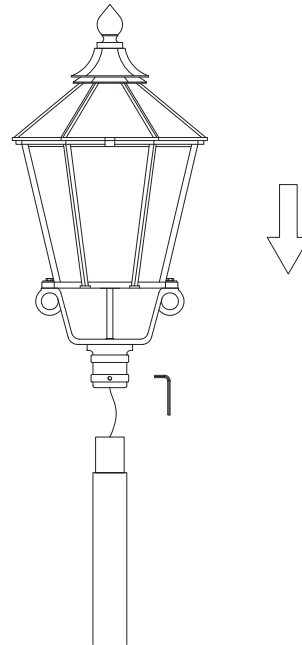


Recommended Installation Procedure / 推荐安装过程

- Put the power Cable into pole Tighten fixture with 6-M10×16 screw .
将灯头电源线穿入灯杆，灯头套入主杆，用 5mm 内六角扳手将 6-M10×16 平端紧定螺钉固定于主杆。



Make sure the "house" tag faces the building!
确保“房子”标签定位正确!



- Open the access door with the triangle key and connect the 220V power supply.
用三角钥匙打开灯具检修门，连接 220V 电源。



This step should be operated by professional personnel to avoid electric shock.
此步骤需由专业人员操作，以免发生触电危险。

