

CANDIA

Installation and Operating Instructions

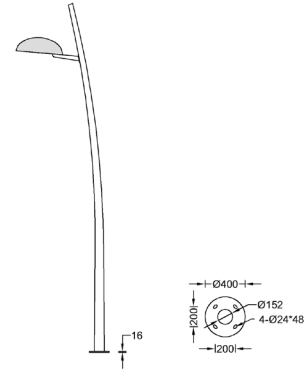
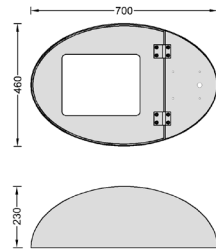
安 装 使 用 说 明

Version 2022.1



Pole-top luminaires / 杆顶灯
Catenary suspended luminaires / 悬索灯

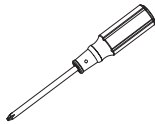
9 10x xx xx Candia



Important Information / 重要信息

1. The installation and maintenance of the product can only use the original parts, and the installation and operation of the equipment shall be subject to national and international regulations.
本产品安装和维护工作只能使用原厂配件，设备的安装和操作适用于国家和国际法规。
2. DMK is not liable for any damages resulting from improper or unskilled conduct.
DMK 不承担任何因不当或不熟练行为而造成的损害赔偿。
3. Only qualified installation personnel are allowed to assemble and install products obtained from the DMK.
只允许有安装资质的人员组装和安装从 DMK 获得的产品。
4. The contents of this manual are subject to change without prior notice. Please refer to the material in kind.
本说明书的内容如有变更，恕不另行通知。请以实物为准。
5. If in doubt, please contact the supplier.
如有疑问，请与供应商联系。

Toolings / 工具



十字螺丝刀



6/8mm 内六角扳手



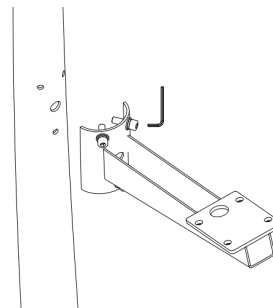
三角钥匙



30mm 开口扳手

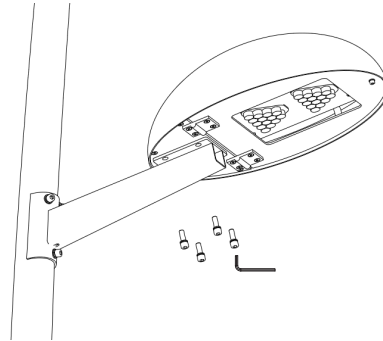
Recommended Installation Procedure / 推荐安装过程

1. Connect the Bracket with the pole and fix it (3-M10×20 inner hexagon screw, 3-10 flat washer, 3-10 Spring washer).
将灯具悬臂与灯杆连接固定 (3-M10×20 内六角螺钉; 3-10 平垫圈; 3-10 弹簧垫圈)。

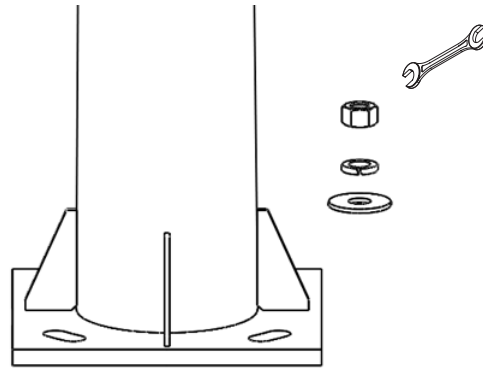


Recommended Installation Procedure / 推荐安装过程

2. Fix the fixture to the bracket. Put the cable into the pole.
 (4-M8 hexagon socket screw; 4-8 flat washer; 4-8 Spring washer).
 将灯头固定在悬臂上, 电缆线穿入灯杆。(4-M8 内六角螺钉;
 4-8 平垫圈; 4-8 弹簧垫圈)。



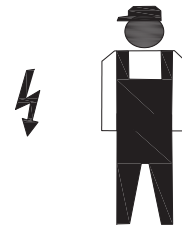
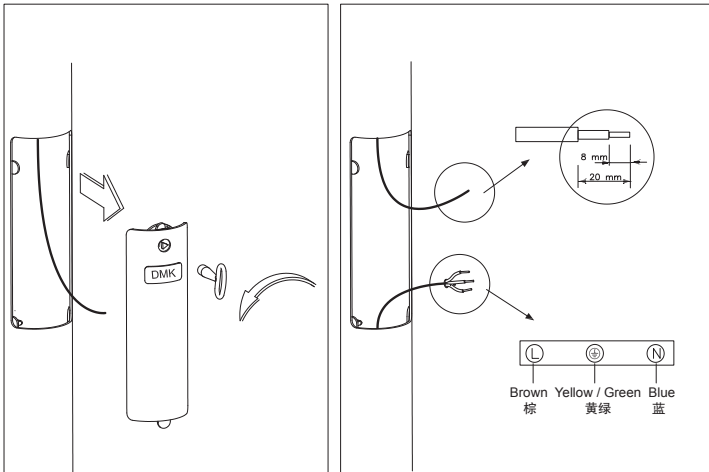
3. Fix the pole to the foundation. (4-M20 nut, 4-20 flat washer, 4-20 Spring washer).
 将灯杆与基础连接固定。(4-M20 螺母; 4-20 平垫圈;
 4-20 弹簧垫圈)。



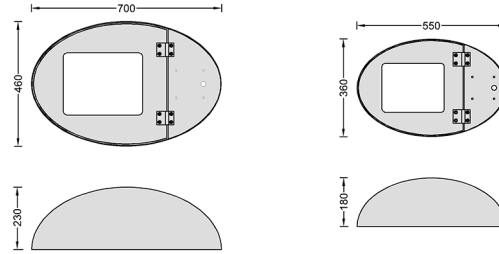
4. Open the access door with the triangle key and connect the 220V power supply.
 用三角钥匙打开灯具检修门, 连接 220V 电源。



This step should be operated by professional personnel to avoid electric shock.
 此步骤需由专业人员操作, 以免发生触电危险。



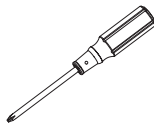
9 10x xx xx Candia



Important Information / 重要信息

1. The installation and maintenance of the product can only use the original parts, and the installation and operation of the equipment shall be subject to national and international regulations.
本产品安装和维护工作只能使用原厂配件，设备的安装和操作适用于国家和国际法规。
2. DMK is not liable for any damages resulting from improper or unskilled conduct.
DMK 不承担任何因不当或不熟练行为而造成的损害赔偿。
3. Only qualified installation personnel are allowed to assemble and install products obtained from the DMK.
只允许有安装资质的人员组装和安装从 DMK 获得的产品。
4. The contents of this manual are subject to change without prior notice. Please refer to the material in kind.
本说明书的内容如有变更，恕不另行通知。请以实物为准。
5. If in doubt, please contact the supplier.
如有疑问，请与供应商联系。

Toolings / 工具



十字螺丝刀



5 mm 内六角扳手



4-M6 内六角螺钉



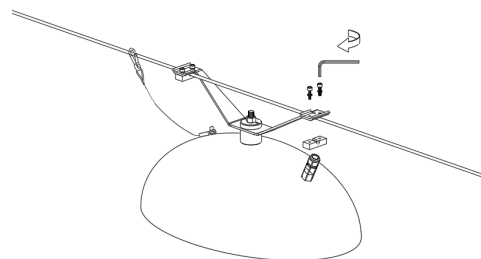
4-6 弹簧垫圈

Recommended Installation Procedure / 推荐安装过程

1. Fix the fixture on the embedded part with M20 nut and $\phi 20$ mm flat pad.
用 (4-M6 内六角螺钉; 4-6 弹簧垫圈) 将灯具用夹板固定在钢丝绳上，防坠落装置卡入钢丝绳。



Keep the pole perpendicular to the ground.
此步骤需由专业人员操作，以免发生触电危险。



Recommended Installation Procedure / 推荐安装过程

2. Remove the waterproof connector and connect the 220V power cable.
将防水接头拆下，连接 220V 电源线。



This step should be operated by professional personnel to avoid electric shock.

此步骤需由专业人员操作，以免发生触电危险。

