

# LUGANO

## Installation and Operating Instructions

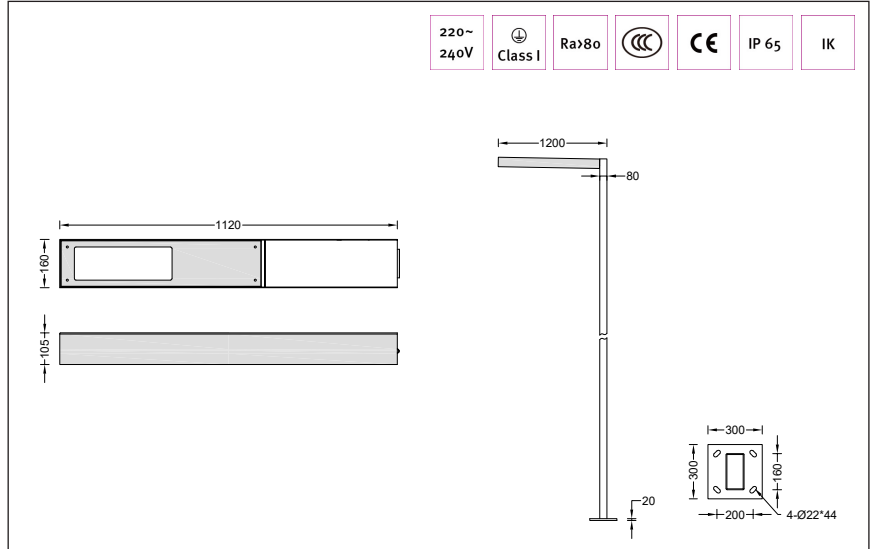
## 安 装 使 用 说 明

Version 2022.1



Light building element / 柱灯  
Bollards / 草坪灯

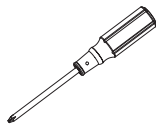
## 9 07x 06 xx Lugano



### Important Information / 重要信息

1. The installation and maintenance of the product can only use the original parts, and the installation and operation of the equipment shall be subject to national and international regulations.  
本产品安装和维护工作只能使用原厂配件，设备的安装和操作适用于国家和国际法规。
2. DMK is not liable for any damages resulting from improper or unskilled conduct.  
DMK 不承担任何因不当或不熟练行为而造成的损害赔偿。
3. Only qualified installation personnel are allowed to assemble and install products obtained from the DMK.  
只允许有安装资质的人员组装和安装从 DMK 获得的产品。
4. The contents of this manual are subject to change without prior notice. Please refer to the material in kind.  
本说明书的内容如有变更，恕不另行通知。请以实物为准。
5. If in doubt, please contact the supplier.  
如有疑问，请与供应商联系。

### Toolings / 工具



十字螺丝刀



8 mm 内六角扳手



三角钥匙



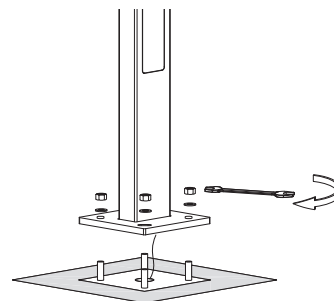
30mm 开口扳手

### Recommended Installation Procedure / 推荐安装过程

1. Fix the fixture on the embedded part with M20 nut and Ø20mm flat pad.  
用 (M20 螺母、Ø20 平垫) 将灯杆固定在预埋件上。

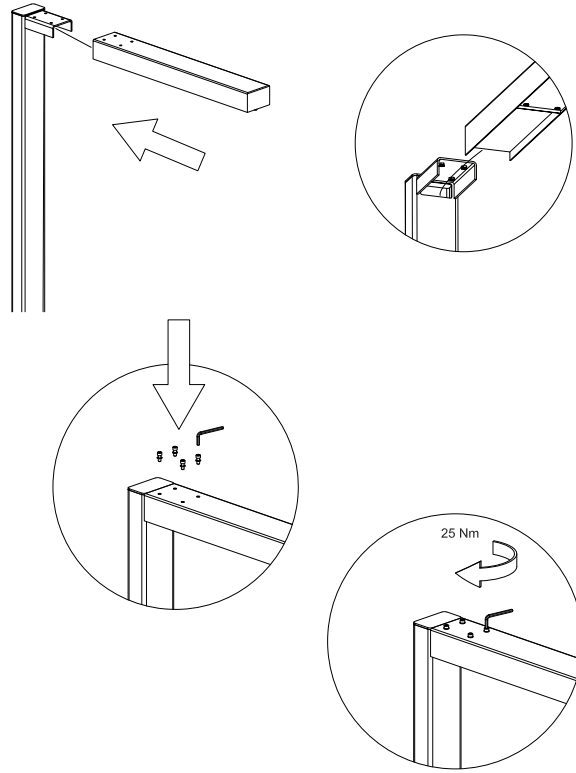


Keep the pole perpendicular to the ground.  
使灯杆与地面保持垂直。



**Recommended Installation Procedure / 推荐安装过程**

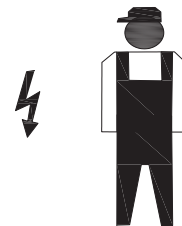
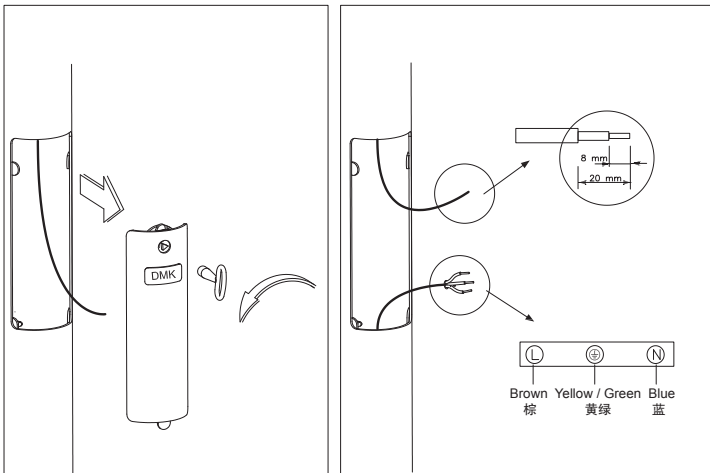
2. Fix the fixture to the pole with M10 inner hexagon bolt,  $\phi 10$ mm flat pad and  $\phi 10$ mm spring pad.  
用 (M10 内六角螺栓、 $\phi 10$  平垫、 $\phi 10$  弹垫) 将灯具固定在灯杆上。



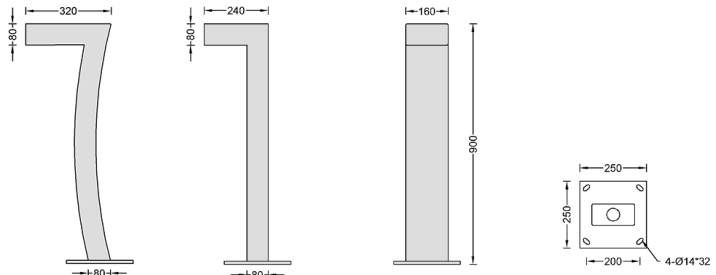
3. Open the access door with the triangle key and connect the 220V power supply.  
用三角钥匙打开灯具检修门，连接 220V 电源。



This step should be operated by professional personnel to avoid electric shock.  
此步骤需由专业人员操作，以免发生触电危险。



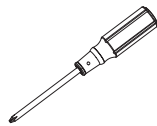
## 9 07x 02 xx Lugano R / L



### Important Information / 重要信息

1. The installation and maintenance of the product can only use the original parts, and the installation and operation of the equipment shall be subject to national and international regulations.  
本产品安装和维护工作只能使用原厂配件，设备的安装和操作适用于国家和国际法规。
2. DMK is not liable for any damages resulting from improper or unskilled conduct.  
DMK 不承担任何因不当或不熟练行为而造成的损害赔偿。
3. Only qualified installation personnel are allowed to assemble and install products obtained from the DMK.  
只允许有安装资质的人员组装和安装从 DMK 获得的产品。
4. The contents of this manual are subject to change without prior notice. Please refer to the material in kind.  
本说明书的内容如有变更，恕不另行通知。请以实物为准。
5. If in doubt, please contact the supplier.  
如有疑问，请与供应商联系。

### Toolings / 工具



十字螺丝刀



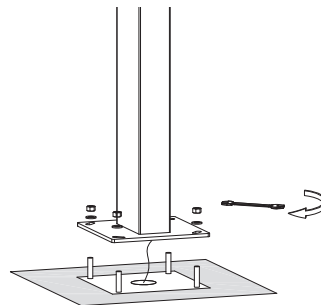
三角钥匙



19mm 开口扳手

### Recommended Installation Procedure / 推荐安装过程

1. Fix the fixture to the embedded part with M12 nut and  $\phi 12$  mm flat pad.  
用 (M12 螺母、 $\phi 12$  平垫) 将灯具固定在预埋件上。



**Recommended Installation Procedure / 推荐安装过程**

2. Open the access door with the triangle key and connect the 220V power supply.  
用三角钥匙打开灯具检修门，连接 220V 电源。



This step should be operated by professional personnel to avoid electric shock.  
此步骤需由专业人员操作，以免发生触电危险。

