

MAINS

Installation and Operating Instructions

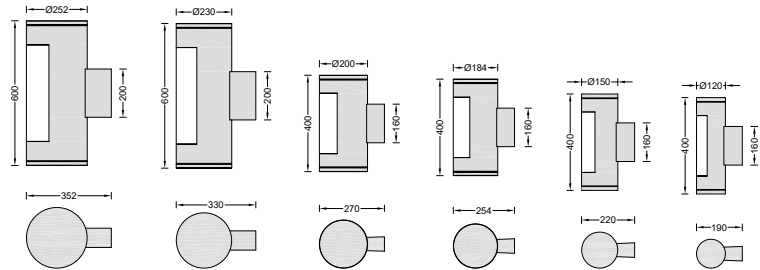
安 装 使 用 说 明

Version 2022.1



Light building element / 柱灯
Wall luminaires / 侧壁灯
Catenary suspended luminaires / 悬索灯

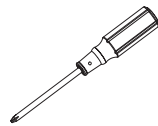
9 02x 01 xx Mains



Important Information / 重要信息

1. The installation and maintenance of the product can only use the original parts, and the installation and operation of the equipment shall be subject to national and international regulations.
本产品安装和维护工作只能使用原厂配件，设备的安装和操作适用于国家和国际法规。
2. DMK is not liable for any damages resulting from improper or unskilled conduct.
DMK 不承担任何因不当或不熟练行为而造成的损害赔偿。
3. Only qualified installation personnel are allowed to assemble and install products obtained from the DMK.
只允许有安装资质的人员组装和安装从 DMK 获得的产品。
4. The contents of this manual are subject to change without prior notice. Please refer to the material in kind.
本说明书的内容如有变更，恕不另行通知。请以实物为准。
5. If in doubt, please contact the supplier.
如有疑问，请与供应商联系。

Toolings / 工具



十字螺丝刀



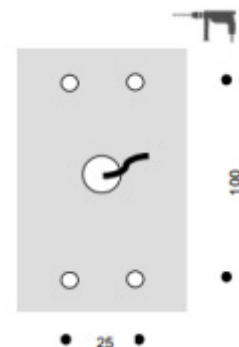
3mm 内六角扳手



10mm 开口扳手

Recommended Installation Procedure / 推荐安装过程

1. Open the fixing hole as shown.
按图示开固定孔。

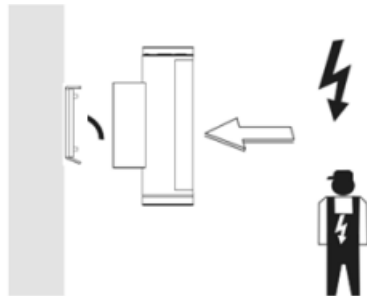
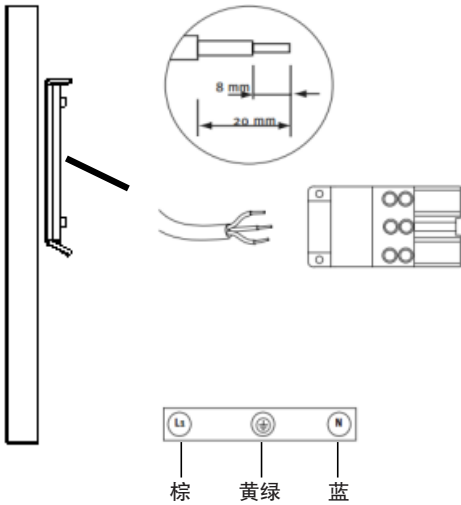
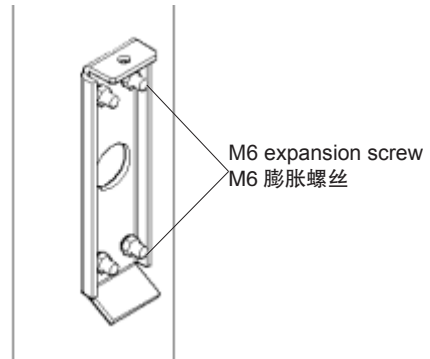


Recommended Installation Procedure / 推荐安装过程

2. Fix the mounting bracket to the wall with M6 expansion screws.
用 M6 膨胀螺丝将安装支架固定到墙壁上。
3. Connect the 220V power supply.
连接 220V 电源。



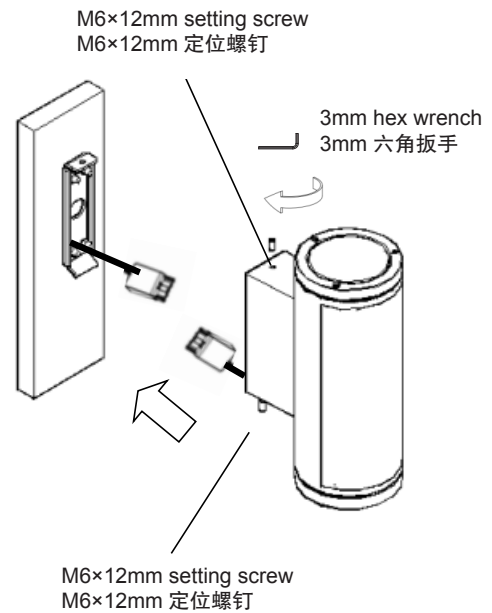
This step should be operated by professional personnel to avoid electric shock.
此步骤需由专业人员操作，以免发生触电危险。



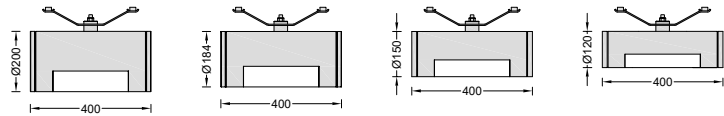
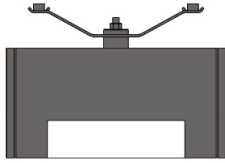
4. Fix the fixture to the mounting bracket.
将灯具固定到安装支架上。



When you screw a positioning screw, ensure that the upper end of the screw is level with the upper surface of the base and not too high or too low.
拧定位螺钉时，要确保螺钉上端面与底座上表面持平，不应过高或过低。



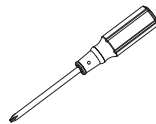
9 02x 01 xx Mains



Important Information / 重要信息

- The installation and maintenance of the product can only use the original parts, and the installation and operation of the equipment shall be subject to national and international regulations.
本产品安装和维护工作只能使用原厂配件，设备的安装和操作适用于国家和国际法规。
- DMK is not liable for any damages resulting from improper or unskilled conduct.
DMK 不承担任何因不当或不熟练行为而造成的损害赔偿。
- Only qualified installation personnel are allowed to assemble and install products obtained from the DMK.
只允许有安装资质的人员组装和安装从 DMK 获得的产品。
- The contents of this manual are subject to change without prior notice. Please refer to the material in kind.
本说明书的内容如有变更，恕不另行通知。请以实物为准。
- If in doubt, please contact the supplier.
如有疑问，请与供应商联系。

Toolings / 工具



十字螺丝刀



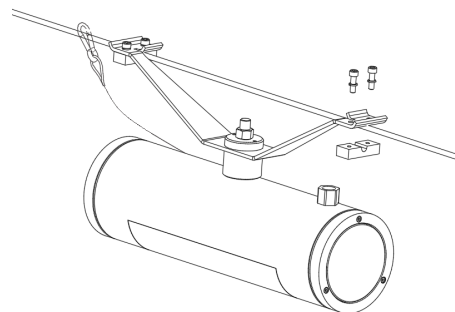
8 mm 内六角扳手

Recommended Installation Procedure / 推荐安装过程

- Fix the fixture on the wire rope with splint (4-M6 screw 4-6 spring washer).
用(4-M6 内六角螺钉; 4-6 弹簧垫圈)将灯具用夹板固定在钢丝绳上。



The fall guard is fixed to the wire rope.
防坠落装置卡入钢丝绳。



Recommended Installation Procedure / 推荐安装过程

2. Remove the waterproof connector and connect the 220V power cable.
将防水接头拆下，连接 220V 电源线。



This step should be operated by professional personnel to avoid electric shock.

此步骤需由专业人员操作，以免发生触电危险。

